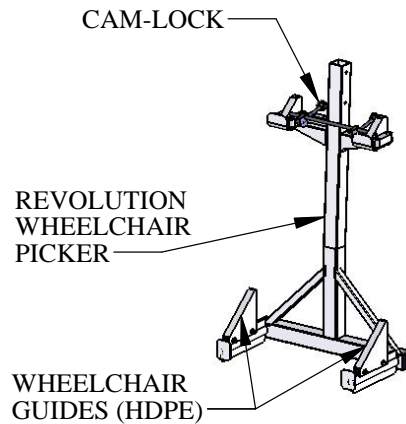
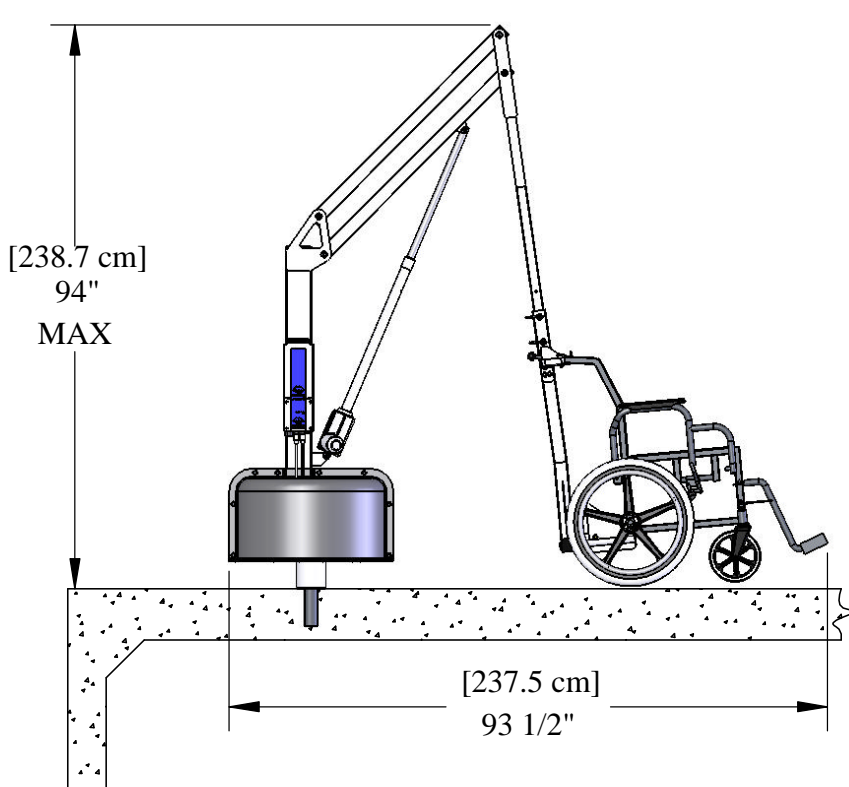
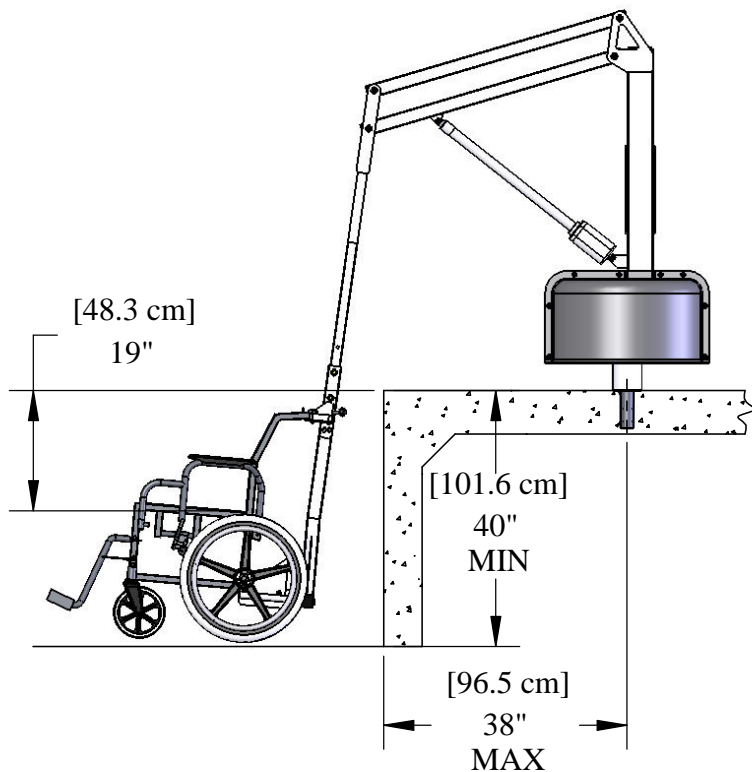


REVOLUTION WHEELCHAIR OPTION



22" SOLID-FRAME WHEELCHAIR (INCLUDED)



SPECIFICATIONS:

THE AQUA CREEK REVOLUTION WHEELCHAIR OPTION SHALL BE AN ATTACHMENT FOR THE REVOLUTION LIFT, USED TO PROVIDE DIRECT ACCESS TO A POOL OR SPA FOR WHEELCHAIR USERS. IT SHALL BE MADE OF STAINLESS STEEL AND HDPE PLASTIC, TO BE COMPATIBLE WITH POOL/SPA ENVIRONMENTS. IT SHALL HAVE A LOCKING MECHANISM TO KEEP THE CHAIR STEADY AND STABLE DURING TRANSPORT. IT SHALL BE SOLD AND USED WITH THE 22" SOLID-FRAME WHEELCHAIR ONLY. IT SHALL HAVE A WEIGHT CAPACITY OF 500LBS [227 kgs].

NOTE: THE REVOLUTION LIFT SHALL BE SETBACK NO MORE THAN 38" [96.5 cm] WHEN INTENDED FOR USE WITH THE WHEELCHAIR PICKER.

A LIMITED LIFETIME WARRANTY IS STANDARD.

9889 GARRY MORE LANE
 MISSOULA, MT 59808
 (406) 549-0769
 FAX (406) 549-2602

Aqua Creek Products
 The Total Solution for Pool and Spa Access

NOTE:
 *SPECIFICATIONS ARE SUBJECT TO CHANGE WITHOUT NOTICE
 *ALL DIMENSIONS ARE IN INCHES

PRODUCT:	F-705	
DWG #:	F-705-1	
SCALE:	1:30	DATE: 2/3/11
DRAWN BY:	DS	REVISION: C