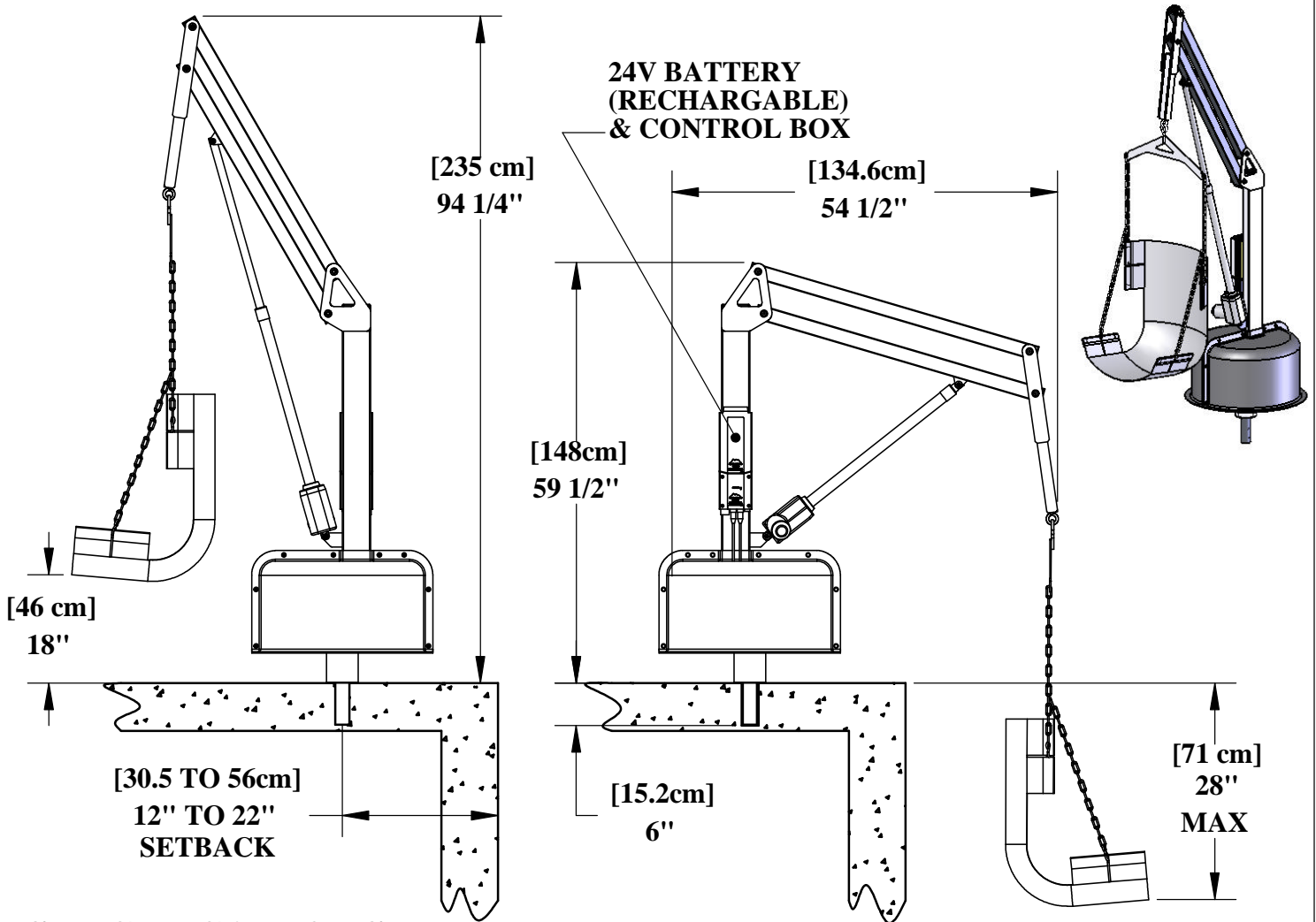


REVOLUTION LIFT: SLING OPTION



SPECIFICATIONS

THE AQUA CREEK REVOLUTION LIFT: SLING OPTION SHALL BE A 24 VDC BATTERY POWERED SPA OR POOL LIFT. THE LIFT SHALL BE OF STAINLESS STEEL CONSTRUCTION WITH A LIFTING CAPACITY OF 400 LBS [181 kg]. THE LIFT SHALL HAVE AN OPERATING RANGE OF 48" [122 cm]. THE REVOLUTION LIFT: SLING OPTION CAN BE SETBACK UP TO 22" [56 cm] FROM THE POOL EDGE WITH UNLIMITED 360° OF POWERED ROTATION. THE UNIT SHALL INCLUDE A 8" [20.3 cm] DEEP ANCHOR WITH AN ANTI-TAMPER LID. STANDARD EQUIPMENT SHALL INCLUDE AN ANTI-FUNGAL POLYESTER-MESH SLING W/STAINLESS STEEL CHAINS AND HANGER. A LIMITED LIFETIME WARRANTY IS STANDARD.

MAST: 2" X 4" X .120" [5.1 X 10.2 X .31 cm] TYPE 304 STAINLESS STEEL TUBE
 BOOM: 2" X 2" X .120" [5.1 X 5.1 X .31 cm] TYPE 304 STAINLESS STEEL TUBE
 LINEAR ACTUATOR: LINAK LA-34
 ROTARY ACTUATOR: 24VDC ROTARY MOTOR
 FINISH: UV RESISTANT EPOXY POWDER COATING
 SLING: 100% POLYESTER MESH RATED FOR PATIENT LIFTING DEVICES
 CHAINS: TYPE 304 STAINLESS STEEL

Inspected And Verified To Meet
 Applicable Sections of ADA
 Guidelines Section 1009.2 By

wyle
 laboratories

A Nationally Recognized
 Test Laboratory

9889 GARRY MORE LANE
 MISSOULA, MT 59808
 (406) 549-0769
 FAX (406) 549-2602

NOTE:
 *SPECIFICATIONS ARE SUBJECT TO CHANGE WITHOUT NOTICE
 *ALL DIMENSIONS ARE IN INCHES

PRODUCT:	F-706RLSS	
DWG #:	F-706RLSS-1	
SCALE:	1:24	DATE: 1/18/11
DRAWN BY:	DS	REVISION: E


Aqua Creek Products
 The Total Solution for Pool and Spa Access