



Aqua Creek Products

The Total Solution for Pool and Spa Access

INSTALLATION & OPERATING INSTRUCTIONS:



REVOLUTION SPINEBOARD ATTACHMENT

LOAD CAPACITY: 500 LBS [227 kg]

MANDATORY: LEAVE THIS MANUAL WITH LIFT OWNER



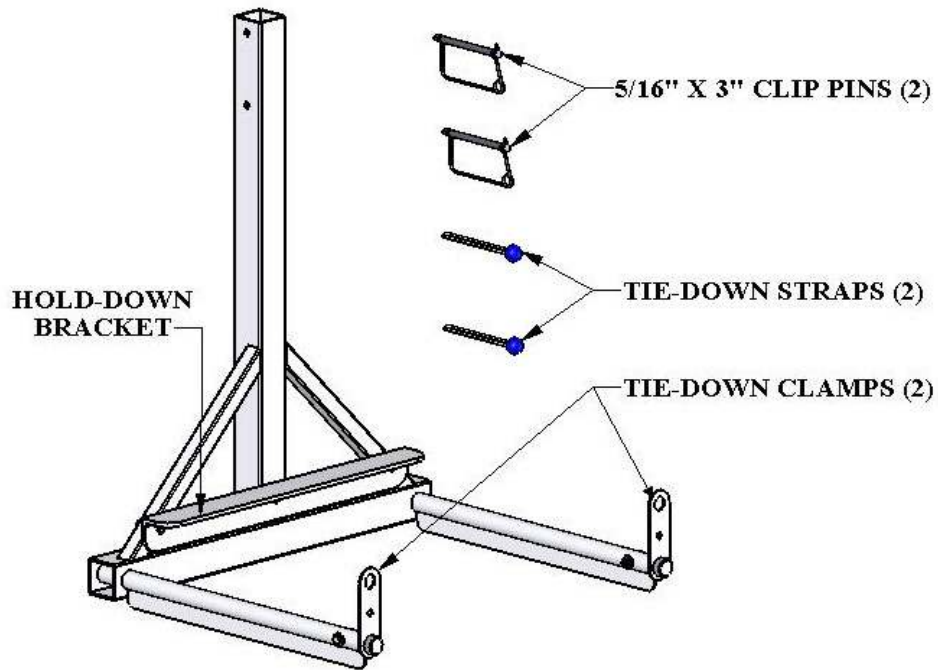
WARNING

1. READ AND FOLLOW ALL INSTRUCTIONS. LIFT SAFETY CAN ONLY BE ENSURED IF THE LIFT IS INSTALLED AND OPERATED PROPERLY- AS PER THESE INSTRUCTIONS
2. WARNING- TO REDUCE RISK OF INJURY, DO NOT PERMIT CHILDREN TO USE THIS PRODUCT UNLESS THEY ARE CLOSELY SUPERVISED.
3. WARNING- DO NOT PERMIT CHILDREN TO PLAY ON THIS PRODUCT.
SAVE A COPY OF THESE INSTRUCTIONS

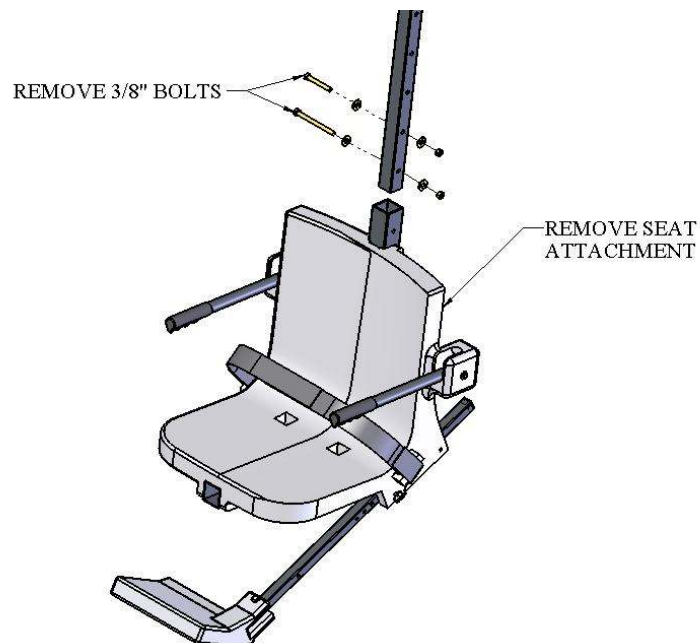
AQUA CREEK PRODUCTS
9889 GARRYMORE LANE
MISSOULA, MT 59808
1-888-687-3552
FAX: 406-549-2602

SPINEBOARD ATTACHMENT INSTALLATION:

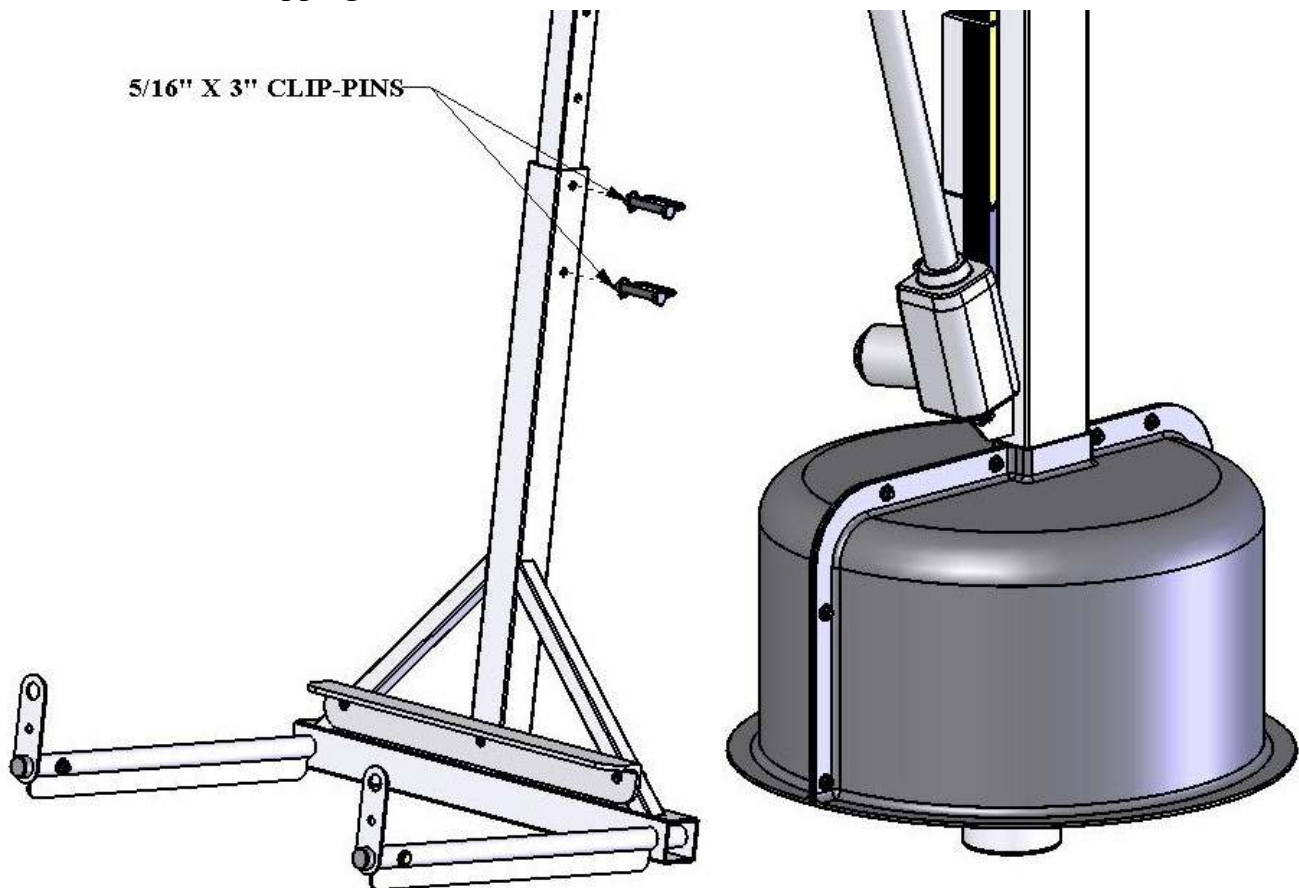
1. Remove the spineboard attachment from the shipping box and compare to the figure below. Familiarize yourself with the product and its features before installation and/or operation.



2. To install the spineboard attachment, first remove the existing seat attachment from the revolution lift by removing the two (2) 3/8" bolts from the seat arm and sliding the seat attachment off of the seat arm.



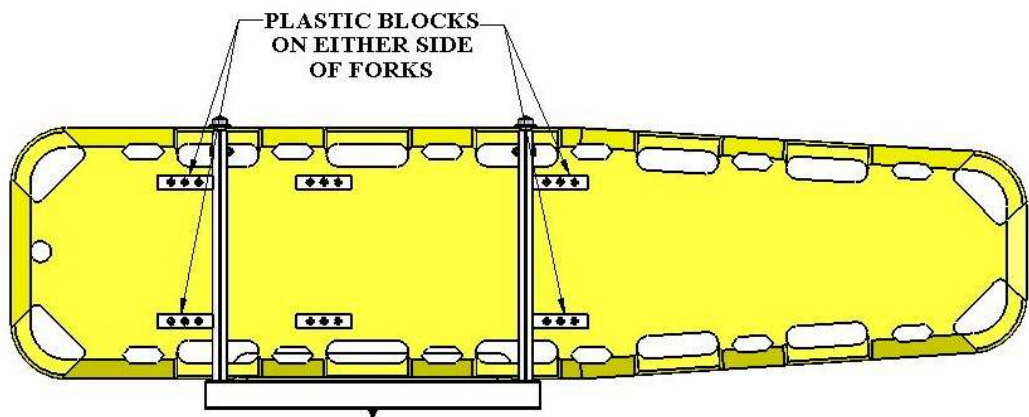
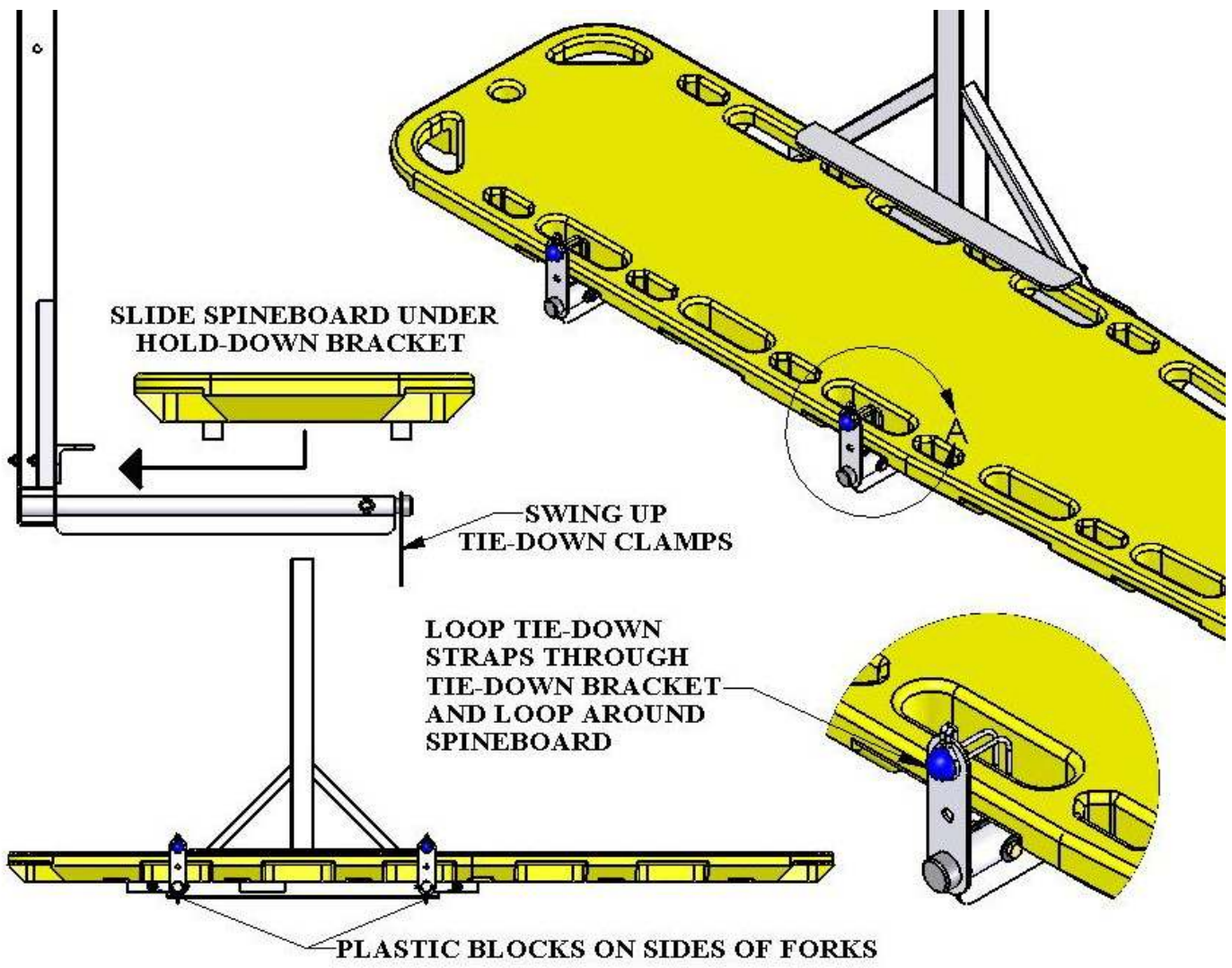
3. Install spineboard attachment with supplied clip pins as shown. Loop safety clips around back of attachment tube and clip over clip pins to keep pins from slipping out of the holes.



OPERATING INSTRUCTIONS:

1. To load/unload the spineboard, rotate the tie-down clamps down. This allows the spineboard to slip over the forks without interference.
2. Slide the spineboard under the hold-down bracket to ensure stability.
3. Make sure the forks are between the plastic blocks under the spineboard as shown at the bottom of the next page (BOTTOM VIEW). This will keep the spineboard from sliding side-side.
4. Rotate the tie-down clamps up to capture the spineboard. Thread a tie-down strap through the top hole and loop the strap around one of the spineboard handles. Loop the strap through itself and over the top of the clamp. Loop the end over the strap as shown. Repeat for the second strap.

NOTE: The forks must be between the plastic blocks of the spineboard with the spineboard positioned as shown at the bottom of the next page. DO NOT USE THE SPINEBOARD ATTACHMENT WITHOUT THE TIE-DOWN STRAPS OR WITH THE PLASTIC BLOCKS REMOVED.



BOTTOM VIEW

MAINTENANCE INSTRUCTIONS:

- 1. After use, always rinse the attachment and the spineboard with fresh water. DO NOT USE POOL WATER (CHLORINATED WATER).**
- 2. Store the spineboard and attachment in a dry location, away from pool chemicals. Do not store these items outdoors or in direct sunlight.**
- 3. Inspect the attachment and the safety clips for rust or damage. Clean/replace as necessary.**

Aqua Creek Products, LLC Limited Warranty: **REVOLUTION LIFT™ SPINEBOARD ATTACHMENT**

Aqua Creek Products lifts have a **Limited Lifetime Warranty** on the frames, not including the powder coat finish. Aqua Creek Products, LLC (a.k.a. Aqua Creek) also warrants to the original end user that all non-frame components manufactured by Aqua Creek, when properly installed in accordance with assembly and installation instructions, and properly used and maintained, shall be free from defects in material and workmanship for a period of five (5) years from the date of original purchase, provided that Aqua Creek receives prompt notice in writing of any defect or failure and satisfactory proof thereof, with the following exceptions:

Exceptions:

The Spineboard shall carry a one (1) year warranty.

All electrical components, including the linear actuator shall have the following warranty period:

Year 1-2: 100% Coverage

Year 3: 60% Coverage (Customer is responsible for 40% of replacement cost)

Year 4: 50% Coverage (Customer is responsible for 50% of replacement cost)

Year 5: 40% Coverage (Customer is responsible for 60% of replacement cost)

This warranty specifically excludes reimbursement for labor to remove, repair, or install the product and any return freight charges.

These warranties do not cover any damages due to accident, misuse, abuse, negligence or failure to properly maintain any products, or normal wear and tear from day to day operations. In the event that any products are altered, repaired, or improperly installed or improperly used by anyone without the prior written approval by Aqua Creek, all warranties are void. **IMPORTANT: AMOUNT OF WEIGHT PLACED ON LIFT SHALL NOT EXCEED THE RATED LIFTING CAPACITY OF 500 POUNDS [227 kg] FOR THE SPINEBOARD ATTACHMENT.**

To initiate a warranty claim, the owner of an Aqua Creek product must provide the place of purchase, in writing, with a full description of the product, its serial number, the dates of purchase and installation, and the exact nature of the defect. Within thirty (30) days after receipt of a written warranty claim by Aqua Creek, and barring any unforeseen delays, the place of purchase will be notified of Aqua Creek's decision regarding the claim.

If requested by Aqua Creek, any defective product must be returned, freight prepaid, to Aqua Creek's designated factory location or duly appointed distributor for inspection and/or repair. Aqua Creek will, at its option, repair or replace the failed or defective item, and deliver the repaired product or replacement to the buyer of the product, freight prepaid to the destination provided for in the original order. Products returned to Aqua Creek for which Aqua Creek provides replacement under this limited warranty shall become the property of Aqua Creek.

A new warranty period shall NOT be established for the repaired or replaced products. Such products shall remain under warranty only for the remainder of the original warranty period on the original products purchased.

This written limited warranty constitutes the final, complete and exclusive statement of warranty terms. No person or organization is authorized to make any other specific or implied warranties or representations on behalf of Aqua Creek.

THE WARRANTIES SET FORTH HEREIN ARE IN LIEU OF ALL OTHER WARRANTIES, EXPRESSED OR IMPLIED, WHICH ARE HEREBY DISCLAIMED AND EXCLUDED, INCLUDING WITHOUT LIMITATION ANY WARRANTY OF MERCHANTABILITY OR FITNESS FOR A PARTICULAR PURPOSE OR USE.

THE SOLE AND EXCLUSIVE REMEDIES FOR BREACH OF ANY AND ALL WARRANTIES WITH RESPECT TO THE PRODUCTS SHALL BE LIMITED TO REPAIR OR REPLACEMENT AT AQUA CREEK'S DESIGNATED FACTORY LOCATION, OR DULY APPOINTED DISTRIBUTOR, OR IN PLACE AT AQUA CREEK'S OPTION. IN NO EVENT SHALL AQUA CREEK'S LIABILITY EXCEED THE ENTIRE AMOUNT PAID TO AQUA CREEK BY THE ORIGINAL PURCHASER FOR THE FAILED OR DEFECTIVE PRODUCT.

IN NO EVENT SHALL AQUA CREEK PRODUCTS, LLC BE LIABLE FOR ANY INCIDENTAL, CONSEQUENTIAL, SPECIAL, INDIRECT, PUNITIVE OR EXEMPLARY DAMAGES OR LOST PROFITS FROM ANY BREACH OF THIS LIMITED WARRANTY OR OTHERWISE.

Aqua Creek Products
9889 Garrymore Lane
Missoula, MT 59808