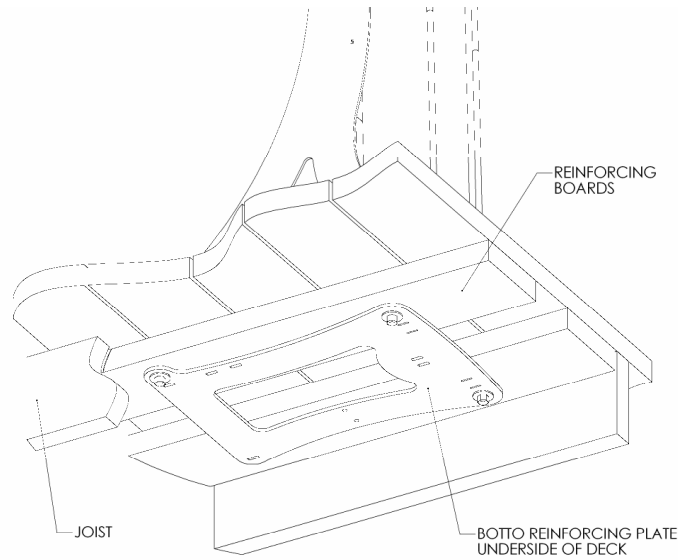


# INSTALLATION & ASSEMBLY INSTRUCTIONS



## WOOD DECK ANCHOR PRO POOL LIFT

**400 LB. MAXIMUM CAPACITY**

**MANDATORY – LEAVE THIS MANUAL WITH LIFT OWNER**

### **- READ CAREFULLY -**

Before beginning assembly check entire box and inside all packing materials for parts, read the instructions and identify parts using the figures and parts listed in this document. It is critical that all parts be carefully inspected by the installer prior to installation to ensure that no damage occurred in transit and that a damaged part is not used. Proper installation cannot be overstressed, as an improper installation voids Aqua Creek's warranty and may affect the safety of the user.



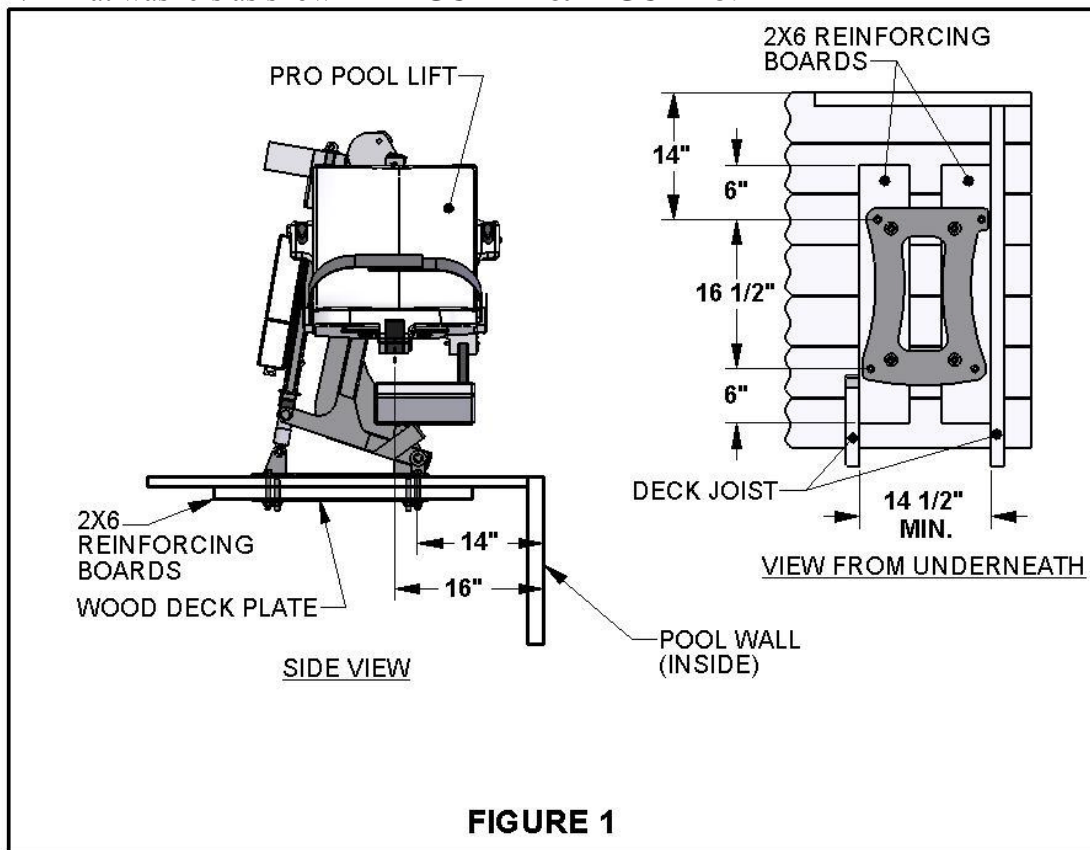
**9889 GARRY MORE LANE  
MISSOULA, MT 59808  
1-888-687-3552  
FAX: 406-549-2602**

## PARTS LIST

ITEM #	QTY.	DESCRIPTION	PART USE / LOCATION
1	1	WOOD DECK ANCHOR PLATE	
2	8	1/2" X 4" HEX BOLTS	MOUNTING BOLTS
3	8	1/2" FLAT WASHERS	
4	4	1/2" LOCKING NUTS	

## INSTALLATION INSTRUCTIONS

1. Find the desired location of the lift. **NOTE: THIS PRODUCT WILL ONLY WORK FOR WOOD-DECKS THAT ARE LEVEL (FLUSH) WITH THE TOP OF THE POOL.** The setback for the front anchor bolt must be no more than 14 inches from the pool wall. **FIGURE 1**
2. Reinforce the decking by using additional 2X6 material bolted or screwed at a perpendicular angle to create an additional floor joist, and extending at **LEAST 6'** on either side of the anchor. See **FIGURE 1 & 3**.
3. Place the WOOD-DECK ANCHOR PLATE at the desired location and mark the eight bolt-hole locations.
4. Drill a 9/16" diameter hole at the eight marked locations in step 3. Counter-bore the four inside holes with a 1" diameter drill bit 1/2" deep so that these bolt-heads will be flush with the deck (or slightly below).
5. Mount the WOOD-DECK ANCHOR PLATE under the deck using four (4) 1/2" X 4" hex head bolts, eight (8) 1/2" flat washers, and four (4) 1/2" lock-nuts. **FIGURES 1 & 3**
6. Mount the Pro Pool Lift to the deck using four (4) 1/2" X 4" hex head bolts and four (4) 1/2" flat washers as shown in **FIGURE 2 & FIGURE 3**.



**FIGURE 1**

